

Mount Adapter

Fisheye Camera Adapter

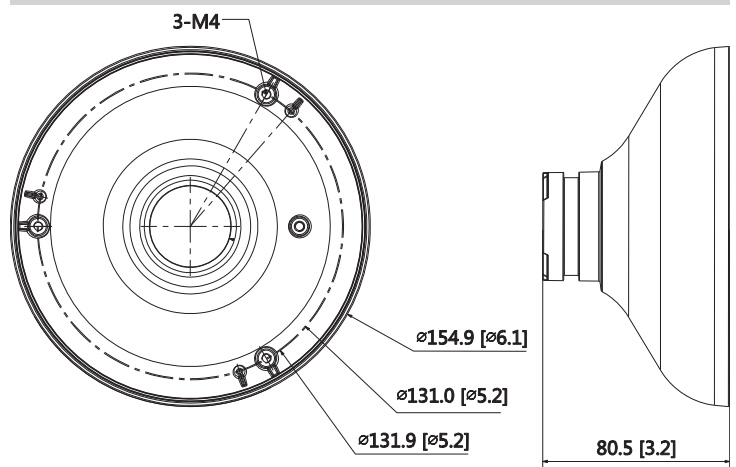


- Aluminum Construction
- Designed for Use with Fisheye Cameras

Technical Specifications

Material	Aluminum
Color	White
Dimensions (W x H)	ø154.90 mm x 80.50 mm (ø6.10 in. x 3.17 in.)
Load Bearing Capacity	1.0 kg (2.20 lb)
Weight	0.26 kg (0.57 lb)
Operating Temperature	-40 °C to 60 °C (-40 °F to 140 °F)
Humidity	< 90% RH
Applicable Models	Network or HDCVI Dome Cameras: A83AR6, N68BR4, N68BR4V, NK8BR4

Dimensions (mm/in.)



Ordering Information

Type	Part Number	Description
Mount Adapter	DH-PFA105	Fisheye Camera Mount Adapter