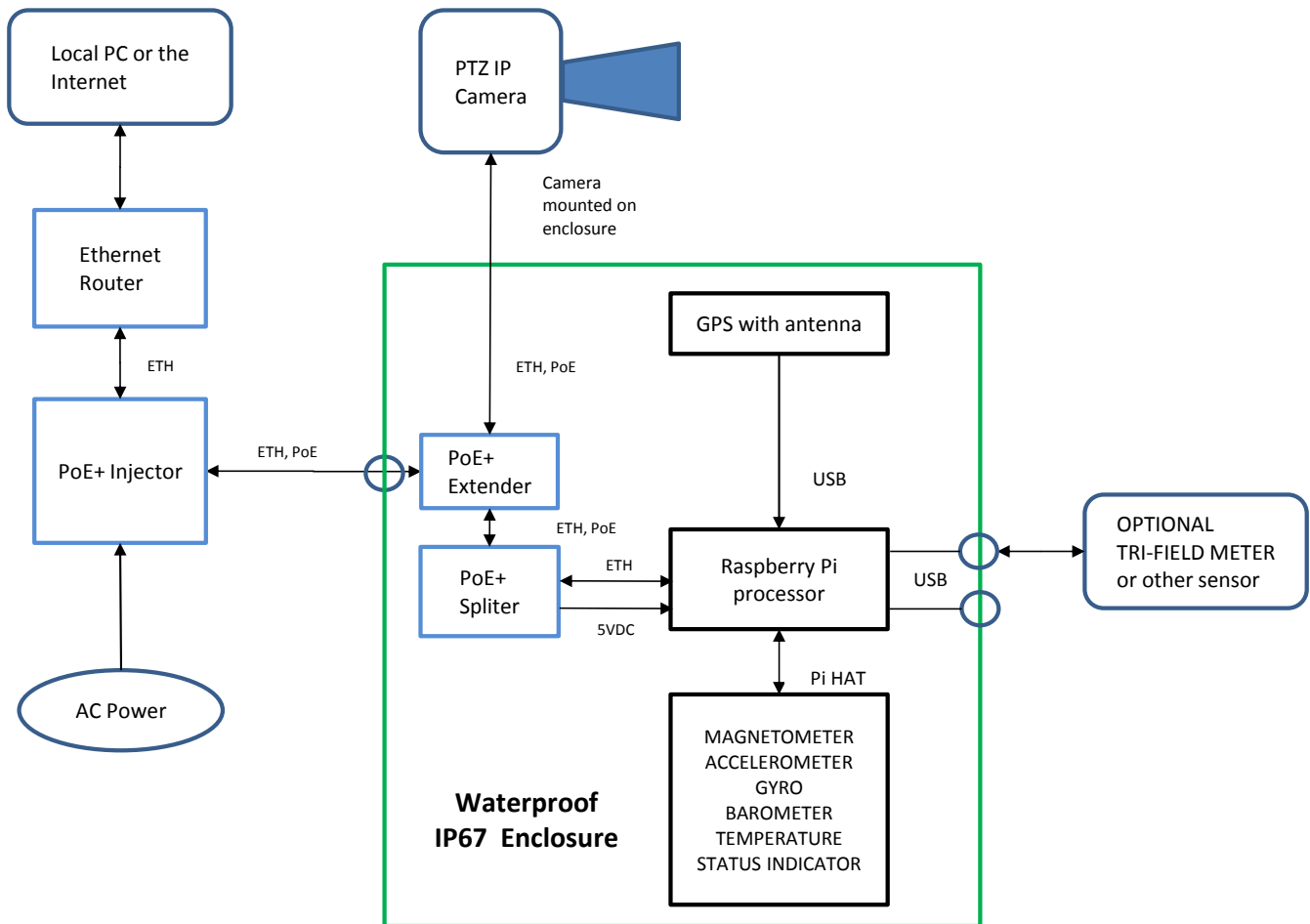


UFODAS Multi Sensor Data Acquisition Unit -- MSDAU Block Diagram



- 1 The weatherproof PTZ camera/sensor assembly is mounted on a heavy-duty tripod. USB camera may be mounted on the same axis.
- 2 Sensor components are contained in a weather-proof enclosure on which the PTZ camera is mounted. The enclosure may be mounted on top of a tripod or fastened to a pole or wall. Optional non-PTZ camera may also be mounted on the enclosure. A composite video to USB converter may be used with a composite video camera
- 3 PC and tripod components connected to a PoE+ Injector via up to 325' of shielded, CAT5e cable

○ Indicates enclosure-mounted waterproof connector